

NMEA 4-20mA Isolated Installation Diagram

Software Version 1.01

Output:

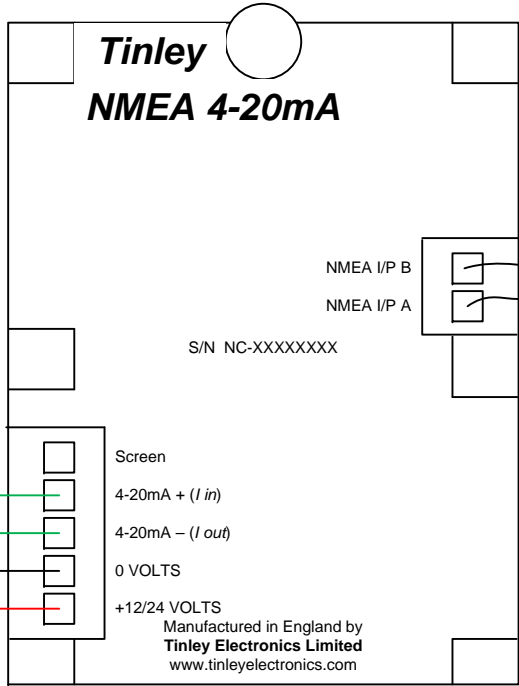
4-20mA Isolated loop

0 knots = 4mA
10 knots = 11.8mA
20.5 knots = 20mA

Max recommended load resistance 250 ohms

Power supply

9-36 Volts 20mA
Fuse 250 mA



NMEA Isolated Input:
\$--VTG,,,,,x.x,,,,a*hh<CR><LF>

Boat Speed in Knots is extracted from VTG

Speed Range 0 to 21 knots

A=+ve B=-ve

Electrical specification conforms to NMEA 0183 V2 and EIA-422-A
With Optical Isolation

The main diagram shows the loop powered by the measuring instrument.

Either of the optional connection diagrams shown to the right can be used to power the loop from the same power supply as this interface.

